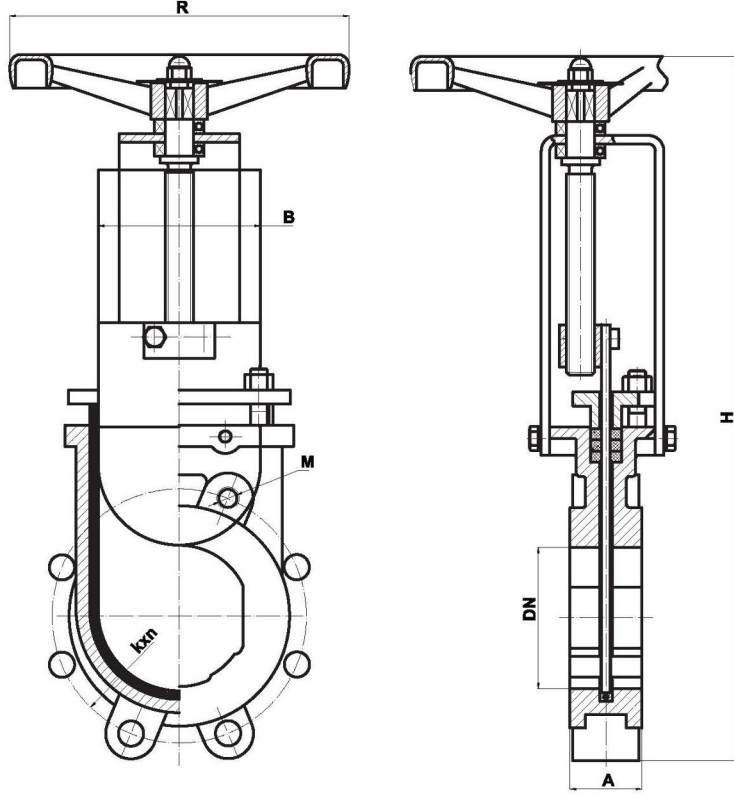
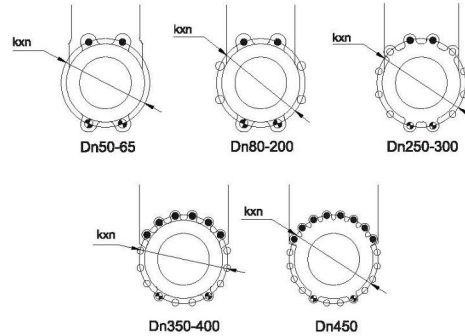


Bıçaklı Sürgülü Vana QU Tip / Knife Gate Valve QU Type



NO	PARÇA ADI	PART NAME	MATERIAL
1	GÖVDE	BODY	HT200 , QT450 , GGG40
2	SÜRGÜ	GATE	2Cr13,304,316,316L
3	MİL SOMUNU	STEM NUT	BRASS
4	MİL	STEM	2Cr13,304,316,316L
5	SALMASTRA	PACKING	PTFE
6	CONTA	SEAT	EPDM , NBR
7	GLEN	GLAND	WCB
8	LASTİK	RUBBER	EPDM
9	RULMAN	BEARING	GCr9
10	HENDİL	HANDWHEEL	Malleable Iron
11	BOYUNLUK	YOKE	Q235



- ◆ Blind hole thread / Vida dışı açılmış delik
- ⊕ Through hole / Boş delik
- ◇ Drilling through / Delik

DN	A	H	R	B	lxn	M	◆	⊕	◇	KG
50	43	290	180	132	125x4	M16	2	0	2	7
65	46	330	180	152	145x4	M16	2	0	2	8
80	46	358	220	171	160x8	M16	2	4	2	10
100	52	378	240	180	180x8	M16	2	4	2	12
125	56	428	240	210	210x8	M16	2	4	2	17,5
150	56	490	280	250	240x8	M20	2	4	2	23
200	60	588	300	310	295x8	M20	2	4	2	33
250	68	690	340	370	350x12	M20	4	6	2	48
300	78	815	340	450	400x12	M20	4	6	2	62
350	92	890	400	492	460x16	M20	6	8	2	87
400	102	980	450	538	515x16	M24	6	8	2	104
450	114	1120	530	580	615x20	M24	8	10	2	145

UYGULAMA ALANLARI / APPLICATIONS

LİFLİ AKIŞKANLAR , ATIK SU , SICAK SU , SOĞUK SU , ASİT VE ALKALİN ÖZELLİĞİ OLMAYAN AKIŞKANLAR / WASTE WATER , HOT-COLD WATER , FLUID EXCLUDING ACID ETC. PAPER , CHEMICAL , MEDICINE , OIL INDUSTRY ETC.

BAĞLANTILAR / ENDS : EN1092-2

ÇALIŞMA BASINCI / WORKING PRESSURE : PN10